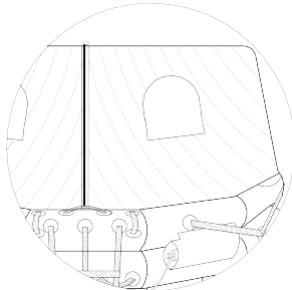


Super-Light Offshore Plus



NOT TO SCALE

→
Front View
Closed Canopy
w/ Clear, Fixed
View Ports



STANDARD EQUIPMENT Includes:

- CO₂/N₂ Inflation System w/ Twin Oversized Buoyancy Tubes
- Three (3) Position (Closed, Sail & Convertible) Heavy Duty, Dual Color Canopy w/ Cinch Strap
- Sure-Seal Closures w/ #10 YKK Heavy Duty Zippering
- Dual Main Zipper w/ Ventilation Tie Backs
- Canopy - HD Tripod Arch Tube
- I2DF Inflatable Insulated Double Floor
- Boarding Platform
- Interior Assist Ladder w/ Quick-Release Fittings
- Two (2) Front Viewing Ports - Fixed
- One (1) Rear Viewing Port - Fixed
- Three (3) Bowed Boarding Assist Handles
- Front Boarding Stirrups
- Combination Foul Weather Observation Port Hole & Water Collection System w/ Sure-Seal Closures
- StoreSafe Dry Survival Gear Stow Pockets (5)
- Water Activated Interior/Exterior Survivor Locator Lights
- Quick-Grab Pelican® Magnum MityLite Flashlight On Arch
- Auto-Deploying Hemispherical Drogue (Sea-Anchor) w/ 100' Line & Dual Anti-Foul Swivels
- 100' Floating Heaving Trailing Line w/ Buoyant Throwing Handle
- 50' Painter Line w/ Quick-Release Fittings
- Heavy Duty EZGrip Righting Line w/ Contrasting Bowed Hand Grips
- Unidirectional Retro/Radar Reflective Segment Across Arch
- Unidirectional Retro Reflective Segments Under Life Raft & On Canopy
- Cape Horn Ballast System
- 1" Exterior Lifelines & Interior Grasp Lines
- Pressure Relief Valves
- Topping-Up Valves
- Urethane Valise
- Ultima Wrap Vacuum Seal (3 yr. Protection)
- Basic Offshore Survival Equipment Package As Listed Below

WINSLOW Model # / Part #	Rated Capacity	Dimensions			Weight
		H	W	L	
40SLOP-BO-1-108	4	10.5"	16"	21"	50 lbs
60SLOP-BO-1-105	6	10.5"	16"	22"	60 lbs
80SLOP-BO-1-102	8	12"	17"	25"	68 lbs
100SLOP-BO-1-101	10	11"	18"	31"	80 lbs
120SLOP-BO-1-100	12	10"	19"	36"	89 lbs

Weights Are Approximate

Basic Offshore Survival Equipment Package Includes:

- ① Manual Inflation Pump – Spring Loaded Return w/ Adapter
- ① Repair Kit (Includes: Repair Clamp (5"), Repair Clamp (3") & 2 PRV Plugs w/ Tether)
- ① Collapsible Bailer Bucket w/ Handle
- ② Sponges
- ① Magnetic Compass
- ② Paddles w/ Retro Reflective Segments
- ① Signal Mirror (3"x5")
- ① USCG/SOLAS Whistle
- ① Flashlight (AA Batteries)
- ② Spare Alkaline Batteries & Spare Xenon Bulb Assembly for Magnum MityLite
- ① Red Laser Flare
- ① USCG Aerial Meteor Flares
- ① Survival Manual
- ① Rescue Streamer Ribbon (6" x 25')
- ① Retaining Line (75')
- ① Sea Dye Marker
- Water Rations (16oz./Person)
- Food Ration Bars (1000 Cal./Person)
- Anti-Seasickness Tablets (6/Person)
- Sun Block (Minimum 30SPF)
- ① First Aid Kit
- ① Fishing Kit
- Nitrile Gloves (1 Pair/2 Person)
- ① Raft Knife
- ① Utility Knife (SS Locking Blade)
- ① Drinking Cup
- ① Water Storage Bag



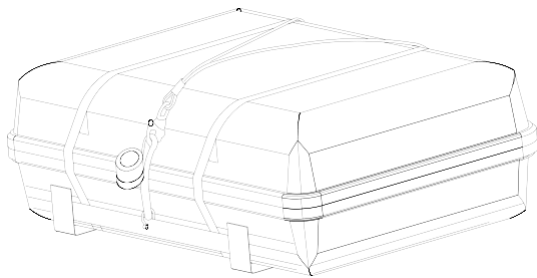
NOT TO SCALE

Toll Free 800-838-3012

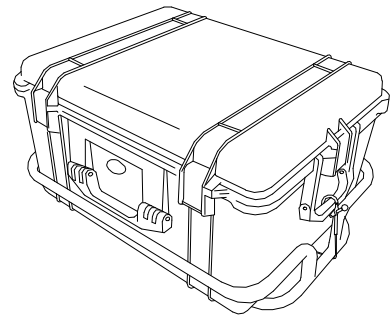
www.winslowliferaft.com ~ rafts@winslowliferaft.com

Available Optional Equipment Available Optional Equipment

	Canister & Cradle Assembly, UV Inhibiting
	Canister - Hydrostatic Release
	Valise - Additional Handles (Set of Two)
	Valise Custom Dimensional Packing
	WINSLOW Pelican Pac 4 or 6 Person Offshore
	<i>WINSLOW Pelican Pac 4 or 6 Person Coastal</i>
	WINSLOW Pelican PacSS Cradle (Coastal)
	WINSLOW Pelican PacSS Cradle (Offshore)
	Watermaker – Reverse Osmosis
Electronic Devices	
	406 EPIRB
	406 GPIRB



Low Profile Traditional Marine Canister, UV Inhibiting
 With Cradle & Hydrostatic Release As Shown Above: 25" x 34" x 14 1/2"
 Without Cradle: 25" x 34" x 12 1/2"
 With Cradle: 25" x 34" x 14 1/2"



WINSLOW Pelican® Pac 4 or 6 Person Offshore
 With Cradle As Shown Above: 25" x 20 1/2" x 16 1/4"
 Without Cradle: 25" x 20" x 14"



(800) 838-3012 ~ Fax (941) 613-6677
www.winslowliferaft.com ~ rafts@winslowliferaft.com

IF THIS DOCUMENT HAS BEEN TRANSFERRED TO YOU ELECTRONICALLY, WINSLOW® RETAINS THE OFFICIAL RECORD. SUBSEQUENT ALTERATIONS WILL BE DISREGARDED. RATES SUBJECT TO CHANGE WITHOUT NOTICE.

9/04 REV. A