

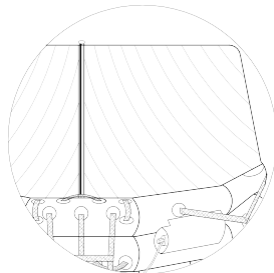
Ultra-Light Offshore



Shown With Optional Equipment

NOT TO SCALE

→
Front View
Closed Canopy



STANDARD EQUIPMENT Includes:

- Twin Buoyancy Tubes
- CO₂/N₂ Inflation System
- Three (3) Position (Closed, Sail & Convertible) Rip-Stop Nylon Canopy w/ Cinch Strap
- Sure-Seal Closures w/ #10 YKK Heavy Duty Zippering
- Dual Main Zipper
- Canopy - HD Tripod Arch Tube
- StoreSafe Dry Survival Gear Stow Pockets (5)
- Oversized Front Boarding Entry w/ 4 Rung Boarding Ladder
- Interior Assist Ladder w/ Quick-Release Fittings
- Bowed Boarding Assist Handle
- I2DF Inflatable Insulated Double Floor
- Combination Foul Weather Observation Port Hole & Water Collection System w/ Sure-Seal Closures
- Water Activated Interior/Exterior Survivor Locator Lights
- Quick-Grab Pelican® Magnum MityLite Flashlight On Arch
- Auto-Deploying Hemispherical Drogue (Sea-Anchor) w/ 100' Line & Dual Anti-Foul Swivels
- 100' Floating Heaving Trailing Line w/ Buoyant Throwing Handle
- 50' Painter Line w/ Quick-Release Fittings
- Heavy Duty EZGrip Righting Line w/ Contrasting Bowed Hand Grips
- Unidirectional Retro/Radar Reflective Segment Across Arch
- Unidirectional Retro Reflective Segments Under Life Raft & On Canopy
- Pentagonal Ballast System
- 1" Exterior Lifelines & Interior Grasp Lines
- Pressure Relief Valves
- Topping-Up Valves
- Urethane Valise
- Ultima Wrap Vacuum Seal (3 yr. Protection)
- Survival Equipment Package (As Listed Below)

WINSLOW Model # / Part #	Rated Capacity	Valise Dimensions			Life Raft Weight
		H	x	W x L	
40ULO-BO1-1-103	4	8"	x	13" x 24"	32 lbs
60ULO-BO1-1-107	6	10"	x	15" x 23"	36 lbs
80ULO-BO1-1-103	8	8"	x	16" x 24.5"	40 lbs

Weights Are Approximate

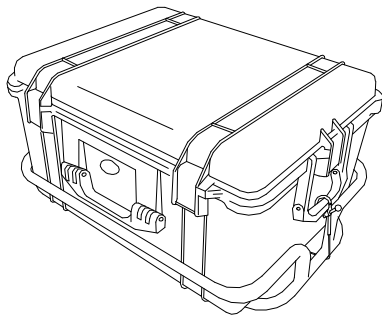
Survival Equipment Package Includes:

- Manual Inflation Pump – Spring Loaded Return w/ Adapter
- Repair Kit (Includes: Repair Clamp (5"), Repair Clamp (3") & 2 PRV Plugs w/ Tether)
- Collapsible Bailer Bucket w/ Handle
- Paddles w/Retro Reflective Segments
- Sponges
- Signal Mirror (2"x3")
- Red Laser Flare Magnum
- USCG Aerial Meteor Flare
- Raft Knife
- Utility Knife (SS Locking Blade)
- Survival Manual

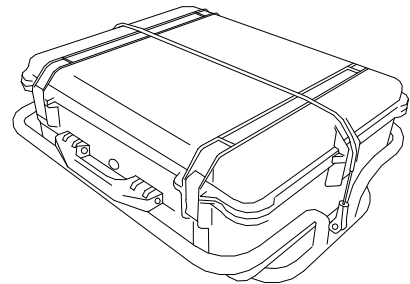


Available Optional Equipment

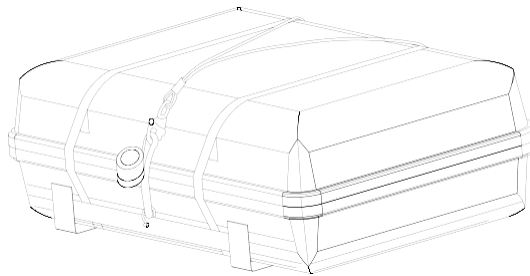
	Canister & Cradle Assembly, UV Inhibiting
	Canister - Hydrostatic Release
	WINSLOW Pelican® Pac 4 or 6 Person Offshore
	WINSLOW Pelican Pac SS Cradle (Coastal/Offshore)
	Watermaker – Reverse Osmosis
Electronic Devices	
	406 EPIRB
	406 GPIRB



WINSLOW Pelican® Pac 8 Person Ultra Light Offshore
With Cradle As Shown Above: 25" x 20 ½" x 16 ¼"
Without Cradle: 25" x 20" x 14"



WINSLOW Pelican® Pac 4 or 6 Person Ultra Light Offshore
With Cradle As Shown Above: 25 ½" x 22" x 10 ½"
Without Cradle: 23 ¼" x 19 ¾" x 9"



Low Profile Traditional Marine Canister, UV Inhibiting
With Cradle & Hydrostatic Release As Shown Above: 25" x 25.5" x 14 ½"
Without Cradle: 25" x 25.5" x 12 ½"
With Cradle: 25" x 25.5" x 14 ½"

(800) 838-3012 ~ Fax (941) 613-6677

www.winslowliferaft.com ~ rafts@winslowliferaft.com

IF THIS DOCUMENT HAS BEEN TRANSFERRED TO YOU ELECTRONICALLY, WINSLOW RETAINS THE OFFICIAL RECORD. SUBSEQUENT ALTERATIONS WILL BE DISREGARDED. RATES SUBJECT TO CHANGE WITHOUT NOTICE.

